



ARCONE[®]

UNIVERSAL ACCESSORIES

Browguard, Faceshield, Hardhat, Safety Glasses, Safety Goggles, Universal Headgear, Magnifying Lens, Sweatband, and Bandana.

SAFETY GOGGLES

ArcOne's safety goggles offer the splash and impact protection you need with a sporty new look. Available in IR-5 & IR-3 protection, or clear & smoke lens finish. The soft foam lining with adjustable strap provides a snug, yet comfortable, fit to help keep dust and particles out. Available in a variety of styles and lens options. Select models include an adjustable strap AND stem for a more versatile look. Each come with a stylish carrying pouch. Meets ANSI Z87.1.



Action



Hollywood



The Fly



NightFire

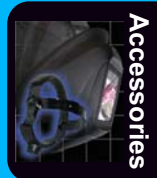


Coronado



IceMan

MODEL	PART NUMBER	MIRROR FINISH	LENS TYPE	FRAME COLOR
NightFire <ul style="list-style-type: none"> • Ultra lightweight frameless lens. • Sporty styling with adjustable strap. 	G-FIRE-A1101-10	Silver	Clear	Gloss Black
	G-FIRE-B1205-10	Yellow/Purple Revo	Smoke	Gloss Black
	G-FIRE-A1501-10	Hardcoated	IR5	Gloss Black
	G-FIRE-A1301-10	Hardcoated	IR3	Gloss Black
IceMan <ul style="list-style-type: none"> • Great classic styling, ideal for sports, work, or play. • Adjustable strap for a comfortable fit. 	G-ICE-A1101-10	Silver	Clear	Gloss Black
	G-ICE-B1205-10	Yellow/Purple Revo	Smoke	Gloss Black
	G-ICE-A1501-10	Hardcoated	IR5	Gloss Black
	G-ICE-A1301-10	Hardcoated	IR3	Gloss Black
Coronado <ul style="list-style-type: none"> • Sleek, sporty wrap around look with 2 configurations. • Comes with adjustable strap to wear as goggles or replaceable stems to wear as glasses. 	G-COR-A1101-10	Silver	Clear	Flat Black
	G-COR-B1205-10	Blue/Green Revo	Smoke	Gloss Black
	G-COR-A1501-10	Hardcoated	IR 5	Flat Black
	G-COR-A1301-10	Hardcoated	IR 3	Flat Black
The Fly <ul style="list-style-type: none"> • Lightweight and stylish with flexible lens. • Side vents for a fog free lens. 	G-FLY-A1101-10	Silver	Clear	Flat Black
	G-FLY-B1202-10	Yellow/Orange Revo	Smoke	Gloss Black
	G-FLY-A1501-10	Hardcoated	IR 5	Flat Black
	G-FLY-A1301-10	Hardcoated	IR 3	Flat Black
Action <ul style="list-style-type: none"> • Classic, wrap around look with a comfortable fit. • Adjustable strap for a custom fit. • Side ventilation for a fog free lens. 	G-ACT-A1101-10	Silver	Clear	Flat Black
	G-ACT-B1204-10	Blue/Purple Revo	Smoke	Gloss Black
	G-ACT-A1501-10	Hardcoated	IR 5	Flat Black
	G-ACT-A1301-10	Hardcoated	IR 3	Flat Black
Hollywood <ul style="list-style-type: none"> • Ultra contemporary styling with 2 configurations. • Comes with adjustable strap to wear as goggles or replaceable stems to wear as glasses. • Easy to remove one piece lens for diopters (see below). 	G-HOL-A1101-10	Silver	Clear	Flat Black
	G-HOL-B1205-10	Blue/Green Revo	Smoke	Gloss Black
	G-HOL-A1501-10	Hardcoated	IR 5	Flat Black
	G-HOL-A1301-10	Hardcoated	IR 3	Flat Black
Hollywood Diopters <ul style="list-style-type: none"> • Diopter For Hollywood 1.0 Mag • Diopter For Hollywood 1.5 Mag • Diopter For Hollywood 2.0 Mag • Diopter For Hollywood 2.5 Mag • Diopter For Hollywood 3.0 Mag 	D-HOL-1.0 - 10			
	D-HOL-1.5 - 10			
	D-HOL-2.0 - 10			
	D-HOL-2.5 - 10			
	D-HOL-3.0 - 10			



Accessories

UNIVERSAL ACCESSORIES

SAFETY GLASSES

ArcOne's Safety Glasses provide protection and comfort with an eye catching design. Each style is lightweight and durable with a sleek wrap around frame. IR3 and IR5 available in the 4000 and 6000 series models. Available in a variety of frames and lens options. Meets ANSI Z87.1 safety standards.



MODEL	PART NUMBER	SCRATCH RESISTANT	LENS TYPE	MIRROR FINISH	FRAME COLOR
1000 Series	SE-1000-10	NO	CLEAR	UNCOATED	CLEAR
	SE-1001-10	YES	SMOKE	GREY	GREY
	SE-1002-10	YES	CLEAR	SILVER	CLEAR
	SE-1003-10	YES	SMOKE	BLUE	BLUE
	SE-1004-10	YES	SMOKE	IRIDESCENT	IRIDESCENT
	SE-1005-10	NO	AMBER	UNCOATED	AMBER
	SE-1006-10	YES	SMOKE	HARDCOATED	SMOKE
	SE-1007-10	YES	SMOKE	MOCHA	BROWN
3000 Series	SE-3000-10	YES	CLEAR	SILVER	BLACK
	SE-3001-10	YES	SMOKE	SILVER	BLACK
4000 Series	SE-4000-10	YES	CLEAR-NO DIOPTER	HARDCOATED	BLACK
	SE-4010-10	YES	CLEAR-DIOPTER 1.0	HARDCOATED	BLACK
	SE-4015-10	YES	CLEAR-DIOPTER 1.5	HARDCOATED	BLACK
	SE-4020-10	YES	CLEAR-DIOPTER 2.0	HARDCOATED	BLACK
	SE-4025-10	YES	CLEAR-DIOPTER 2.5	HARDCOATED	BLACK
	SE-4030-10	YES	CLEAR-DIOPTER 3.0	HARDCOATED	BLACK
	SE-4100-3-10	YES	CLEAR-NO DIOPTER-IR3	HARDCOATED	BRONZE
	SE-4200-5-10	YES	CLEAR-NO DIOPTER-IR5	HARDCOATED	GUN METAL BLUE
6000 Series	SE-6000-10	YES	CLEAR	HARDCOATED	BLACK
	SE-6001-10	YES	CLEAR	SILVER	SILVER
	SE-6002-10	YES	SMOKE	BLUE	BLUE
	SE-6003-10	YES	SMOKE	SILVER	GREY
	SE-6004-10	YES	SMOKE	RED	RED
	SE-6005-10	YES	SMOKE	YELLOW	PEARL
	SE-6106-3-10	YES	IR3	HARDCOATED	SLATE GREY
	SE-6206-5-10	YES	IR5	HARDCOATED	GUN METAL BLUE
CLIP	G-CLIP-03-10	YES	IR3	HARDCOATED	N/A
	G-CLIP-05-10	YES	IR5	HARDCOATED	N/A

BROWGUARD, FACESHIELD, & HARDHAT

ArcOne's browguard, faceshield, & hard hat provide full face and eye protection against sparks, spatter, small particles, and non-hazardous liquids. Made for grinding, cutting, brazing, and machining. A sleek, wrap around style designed can be worn comfortably with impact resistant safety glasses. Available in Polycarbonate or P.E.T.G. in light or dark green, clear, smoked mirror, IR 3 or IR 5. Meets ANSI Z87.1 standards.

FACESHIELD

Durable, Strong, and Heat Resistant.

Part Number	Size	Description	*B/U/M	Size
Polycarbonate Injection Molded				
FS-168CL-PC	15.5 X 9	Clear	M	0.060
FS-168CL-PC-50	15.5 X 9	Clear-Bulk	M	0.060
FS-168DG-PC	15.5 X 9	Dk Green	M	0.060
FS-168SM-PC	15.5 X 9	Smoked Mirror	M	0.060
FS-168IR3-PC	15.5 X 9	IR 3	M	0.060
FS-168IR5-PC	15.5 X 9	IR 5	M	0.060
FS-168IR5-PC-50	15.5 X 9	IR 5-Bulk	M	0.060
PETG Flat Sheet				
FS-128CL-PE	12 X 8	Clear	U	0.040
FS-128CLB-PE	12 X 8	Clear	B	0.040
FS-128LGB-PE	12 X 8	Lt. Gn.	B	0.040
FS-128DGB-PE	12 X 8	Dk.Gn.	B	0.040
FS-128DGB-PE-50	12 X 8	DG-Bulk	B	0.040
FS-169CLB-PE	15.5 X 9	Clear	B	0.040
FS-169CLB-PE-50	15.5 X 9	Clear-Bulk	B	0.040
FS-169CL-PE	15.5 X 9	Clear	U	0.040
FS-169LGB-PE	15.5 X 9	Lt. Gn.	B	0.040
FS-169DGB-PE	15.5 X 9	Dk.Gn.	B	0.040
FS-169DGB-PE-50	15.5 X 9	DG-Bulk	B	0.040
FS-1910CL-PE	19 X 9.75	Clear	U	0.040
FS-1910LG-PE	19 X 9.75	Lt. Gn.	U	0.040
FS-1910DG-PE	19 X 9.75	Dk.Gn.	U	0.040
FS-1910IR5-PE	19 X 9.75	IR 5	U	0.040

* B = BOUND U = UNBOUND M = MOLDED



BROWGUARD

Two stylish molds to choose from with adjustable ratchet perma-lok system.

Part Number	Size	Description
BG-001-10	Sm/Med	Nylon
BG-002-10	Sm/Med/Lg	Nylon

HARD HAT

Part Number	Description
HH-01	Hard Hat
03-HH	Hard Hat with Helmet Adapter
SUHHA-01	Slotted Universal Hard Hat Adapter
FSHHA-01	Faceshield Hard hat Adapter

FACESHIELD MATERIAL COMPARISON CHART

MATERIAL	OPTICS	IMPACT	*SCRATCH	HEAT	CHEMICAL
Polycarbonate	Better	BEST	Good	BEST	Better
Propionate	Good	Better	Good	Good	Good
Acetate	Good	Good	Good	Better	Good
PETG	BEST	Good	Good	Better	Better

* All materials perform approximately the same without Anti-Scratch coating.

FITS MOST MANUFACTURER'S HELMETS!

UNIVERSAL REPLACEMENT HEADGEAR
with **FATBOY™** Sweatband

ArcOne's Universal Replacement Headgear is made of a high density polyethelene. So tough and durable that you'll never have to buy another headgear. And the best part is that it fits most manufacturer's helmets. Other features include:

- Adjustable ratchet Perma-lok system with 60 head-size adjustments.
- Upper stop to hold helmet in up position.
- Down stop with adjustable helmet tilt.
- **FATBOY** Sweatband for added comfort (see description below).



HELMET MODEL CHART

COMPANY	HELMET STYLE	MODEL NUMBER	HEADGEAR REPLACED	ARCONE HEADGEAR
*Jackson	Shadow	HSL-1, HSL-2, HSL-100	170, 270, 270-S	JP-HG
*MorSafe	XP-5	590, 591	270-S	JP-HG
*Sellstrom	Series 280 Series 290 Titan	28301, 28501 29301, 29501, 29901 24400, 24401	27001 27001 27001	FM-HG FM-HG FM-HG
*Fibre-Metal	Superglas Tigerhood Futura Superglas Tigerhood Ultralight	680, 706, 710, 880 906, 910, 990, 990-HP-VX 2006, 2090 110, 700 111, 116, 190	3-C 3-C 3-C 1-CR 1-UL	FM-HG FM-HG FM-HG FM-HG FM-HG

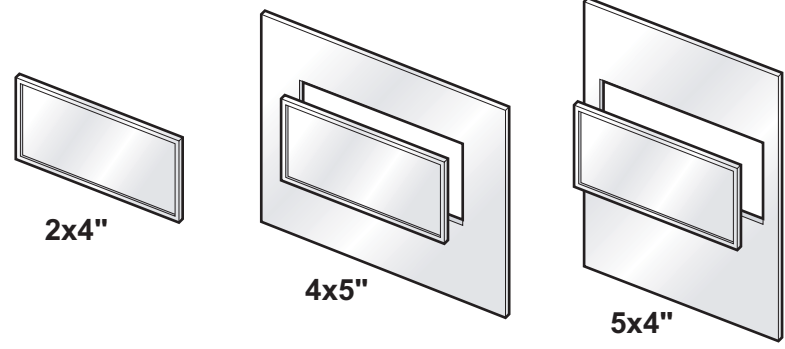
* Note: Sellstrom®, Series 280®, Series 290®, Titan®, are Registered Trademarks of Sellstrom Manufacturing Co. Fibre-Metal®, Superglass®, Tigerhood®, Futura®, Tigerhood Ultralight® are Registered Trademarks of Fibre-Metal Products Co. Jackson®, MorSafe®, Shadow®, and XP-5® are Registered Trademarks of Jackson Products, Inc.

ENLARGE YOUR VIEWING WITHOUT GLASSES!

UNIVERSAL MAG LENS ADAPTER
Fits most manufacturer's welding helmets

Solve work viewing problems Easily And Affordably with ArcOne's Universal Mag Lens Adapters. Specially made to ENLARGE work viewing areas and help get to those hard to see areas or jobs requiring detailed work. Available in a 1.0 thru 2.50 magnification strengths.

Item#	Description
UML-100	1.00 Strength
UML-125	1.25 Strength
UML-150	1.50 Strength
UML-175	1.75 Strength
UML-200	2.00 Strength
UML-225	2.25 Strength
UML-250	2.50 Strength



FatBoy™ SWEATBAND

New and Improved Comfort Sweatband!
03-HGSB



ArcOne's New **FatBoy™** Sweatband is so soft and airy that you'll forget you are wearing a helmet. Layers of thick cushions designed to absorb sweat. Velcro fasteners to help stop helmet slippage.

COOL PRODUCTS BANDANA

Feel Cool All Day
CP-BAN



Feel Cool all day with an ArcOne **Bandana**. Tie it around your head, neck, or wrists or wear inside a welding helmet or hard hat. Just soak in water and feel cool all day.